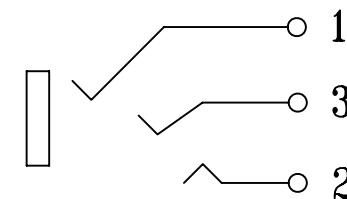
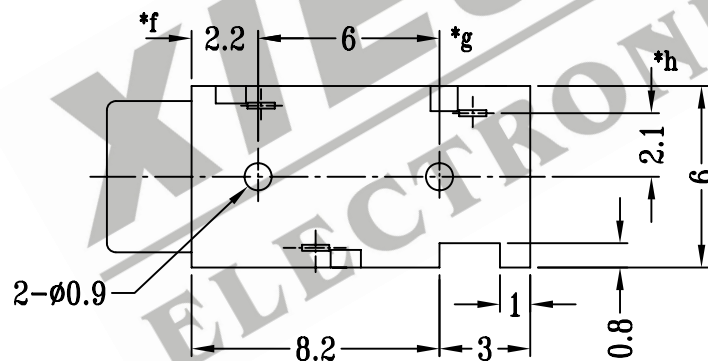
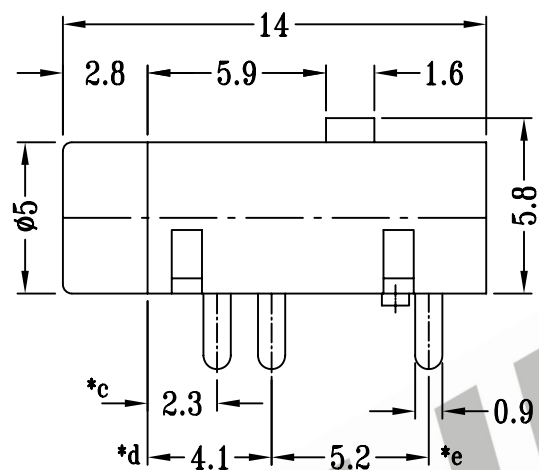
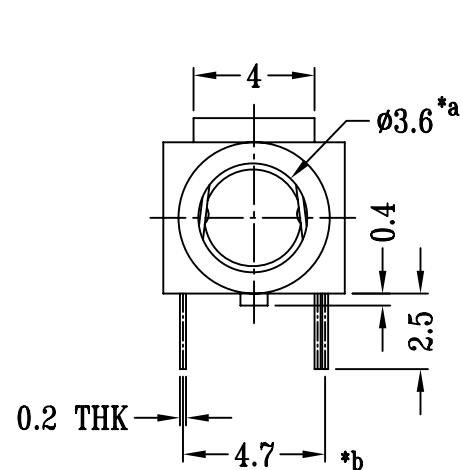
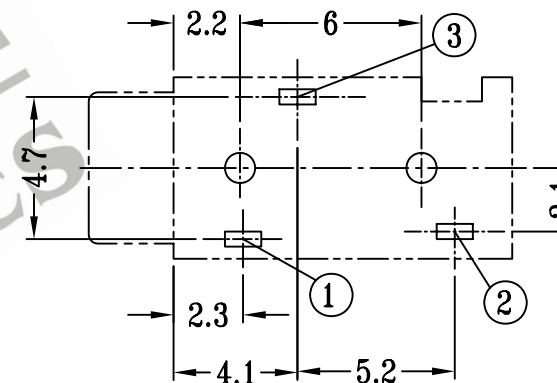


CAD FILE:



SCHMATIC



P.C.B LAYOUT

注:带"*"表示关键尺寸(8个)

				TOLERANCE UNLESS SPECIFIED	SHENZHEN XIEJIA ELECTRONICS CO.,LTD.							
				WITHIN: 1.5±0.1mm	ISSUE		DATE		DESCRIPTIONS OF REVISION		APPD.	
				OVER: 1.5±0.2mm	TITLE : PHONE JACK				UNIT : mm	DRWG NO.: XJ-DR-ST001-00		
2	SPRING TERMINAL	PBS STRIP	3	Ag PLATED OVER Ni PLATED	MODEL: ST-001		SCALE: 4:1	DWN.	ZHOUYU	2003-4-22		
1	CASE	PC/PBT+F.G+94V0	1	BLACK/GREEN	ALL MATERIALS MUST BE COMPLIANT TO ROHS			CHK'D	FANGYING	2003-4-22		
NO.	PARTS	MATERIALS	Q'TY	FINISH				APPD.	KANGXINAN	2003-4-22		